

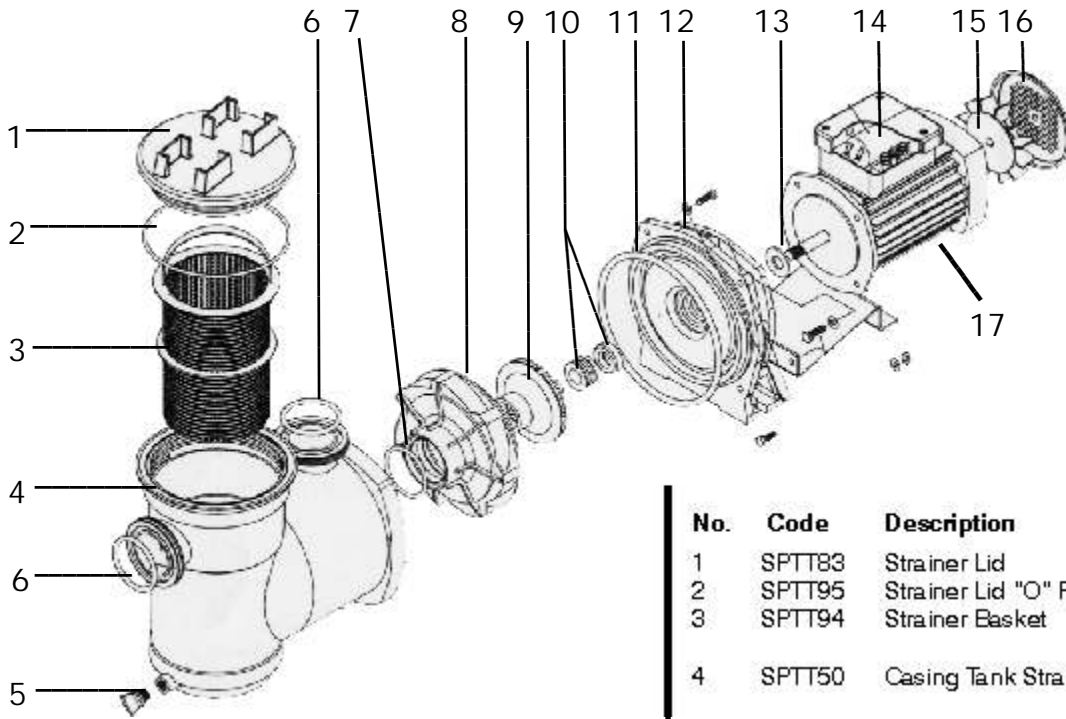
ITT Argonaut Pump

Pump Code	HP	KW	Electrical Supply	Price
AV 50-2DN-S	0.33	0.25	Single Phase	412.00
AV 75-2DN-S	0.50	0.37	Single Phase	432.00
AV100-2DN-S	0.75	0.56	Single Phase	474.00
AV150-2DN-S	1.00	0.75	Single Phase	495.00
AV200-2DN-S	1.50	1.10	Single Phase	525.00
AV250-2DN-S	2.00	1.50	Single Phase	603.00
AV 50-3DN-S	0.33	0.25	Three Phase	375.00
AV 75-3DN-S	0.50	0.37	Three Phase	429.00
AV100-3DN-S	0.75	0.55	Three Phase	456.00
AV150-3DN-S	1.00	0.74	Three Phase	480.00
AV200-3DN-S	1.50	1.10	Three Phase	498.00
AV250-3DN-S	2.00	1.50	Three Phase	597.00



All pumps 2" Suction & Delivery - connections as shown above included with pump

ITT Argonaut AV Series Pump Spares



Item	Code	Description	Price
11	SPTT36	Seal Plate "O" Ring	14.00
11	SPTT37	Seal Plate "O" Ring (New Type)	14.00
12	SPTT38	Seal Plate Bracket	75.00
12	SPTT39	Seal Plate Bracket (New Type)	75.00
13	SPTT40	Slinger	3.00
14	SPTT41	12.5 MFD Capacitor (1/3 - 3/4HP)	30.00
14	SPTT42	20 MFD Capacitor (1HP)	30.00
14	SPTT43	25 MFD Capacitor (1.5 - 2HP)	30.00
15	SPTT44	Fan ..... State motor HP	P.O.A.
16	SPTT45	Fan Cover .. State motor HP	P.O.A.
17	.....	Motors not available as spares	N/A
	SPTT46	Pump Union Assembly - 2" Pipe 1 x Stub Flange, 1 x Collar & 1 x "O" Ring	14.00

No.	Code	Description	Price
1	SPTT83	Strainer Lid	80.00
2	SPTT95	Strainer Lid "O" Ring	10.00
3	SPTT94	Strainer Basket	27.00
4	SPTT50	Casing Tank Strainer BSP	285.00
5	SPTT88	Drain Plug & "O" Ring	8.00
6	SPTT21	Port "O" Ring	3.00
7	SPTT22	Diffuser "O" Ring (1/3HP)	5.00
7	SPTT68	Diffuser "O" Ring (0.5 to 2HP)	6.00
8	SPTT24	Diffuser 50 (1/3HP)	55.00
8	SPTT25	Diffuser 75 (1/2HP)	55.00
8	SPTT26	Diffuser 100 (3/4HP)	55.00
8	SPTT27	Diffuser 150/200 (1HP - 1.5HP)	55.00
8	SPTT28	Diffuser 250 (2HP)	55.00
9	SPTT30	Impeller 50 (1/3HP)	50.00
9	SPTT31	Impeller 75 (1/2HP)	50.00
9	SPTT32	Impeller 100 (3/4HP)	50.00
9	SPTT33	Impeller 150 (1HP)	50.00
9	SPTT34	Impeller 200 (1.5HP)	50.00
9	SPTT35	Impeller 250 (2HP)	50.00
10	SPTT07	Shaft Seal Assembly	45.00